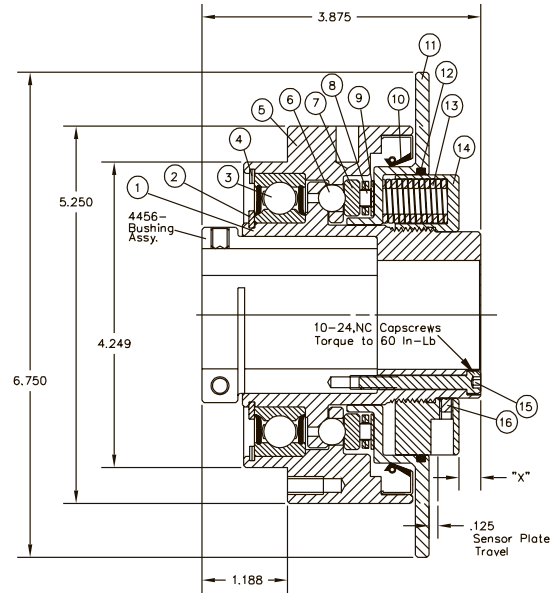
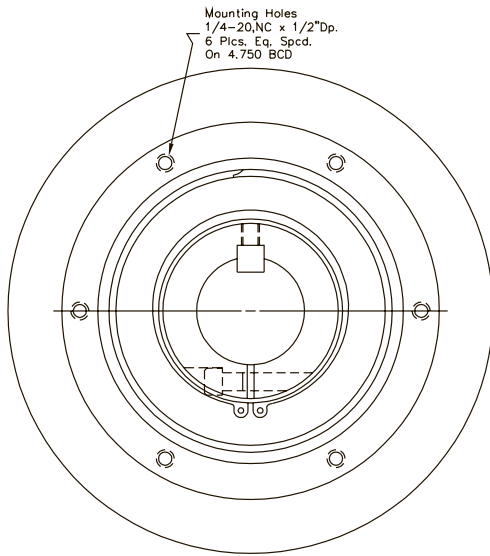


MODEL TLSP 20 U



NOTE:

- Adjustable Torque Range
 - X = 0 Torque = 500 In-Lb
 - X = .076" Torque = 875 In-Lb
 - X = .151" Torque = 1250 In-Lb
 - X = .227" Torque = 1625 In-Lb
 - X = .302" Torque = 2000 In-Lb
- 1200 RPM Max.

BORE SIZES		
4456-1	.938 Std	1/4 KW
4456-2	1.000 Std	1/4 KW
4456-3	1.125 Std	1/4 KW
4456-4	1.250 Std	1/4 KW
4456-5	1.375 Std	5/16 KW
4456-6	1.438 Std	3/8 KW
4456-7	1.500 Std	3/8 KW

GENERAL DESCRIPTION

The model TLSP20U is a totally enclosed single-position torque limiter. This unit is a ball and detent type coupling which is engaged with an adjustable spring load. The ball pattern is unsymmetrical so that the two coupling halves will engage in only one rotational position. When a torque is applied which is higher than the springs can overcome the balls rollout of the detents and move a sensor plate which can be used as a signal. The coupling will reengage when the correct angular rotation is met. The spring force is adjusted by one large nut and is locked in place with setscrews. The unit requires a bushing for mounting to the shaft. See the table for the available bore sizes.

INSTALLATION

Before installing the unit, be sure the shaft is clean and free of burrs. Coat the shaft with anti-seize to prevent corrosion. Mount the sprocket or pulley on the backplate of the torque-limiter. Install the key in the shaft keyway. Slide the bushing onto the shaft and over the key. Position the bushing and tighten the lock-collar capscrew and keyway set-screw. Slide the unit onto the shaft and over the bushing. Install the capscrews and tighten to the specified torque. Adjust the spring-nut to the desired torque setting (see the "X" dimension and the note) and tighten the setscrews to lock the setting.

PARTS LIST			
Item	Description	Part No.	Qty.
1.	Hub	4440	1
2.	Snap Ring	1417-1	1
3.	Bearing	1416	1
4.	Retaining Ring	1753	1
5.	Backplate	4441	1
6.	Ball	4442	6
7.	Thrust Race	4443	1
8.	Bearing	4444	1
9.	Washer	4445	1
10.	Seal	4447	1
11.	Spring Plate	4623	1
12.	O Ring	4448	1
13.	Spring	4449	12
14.	Spring Nut	4450	1
15.	Capscrew	1656-8	8
16.	Setscrew	2996-5	3