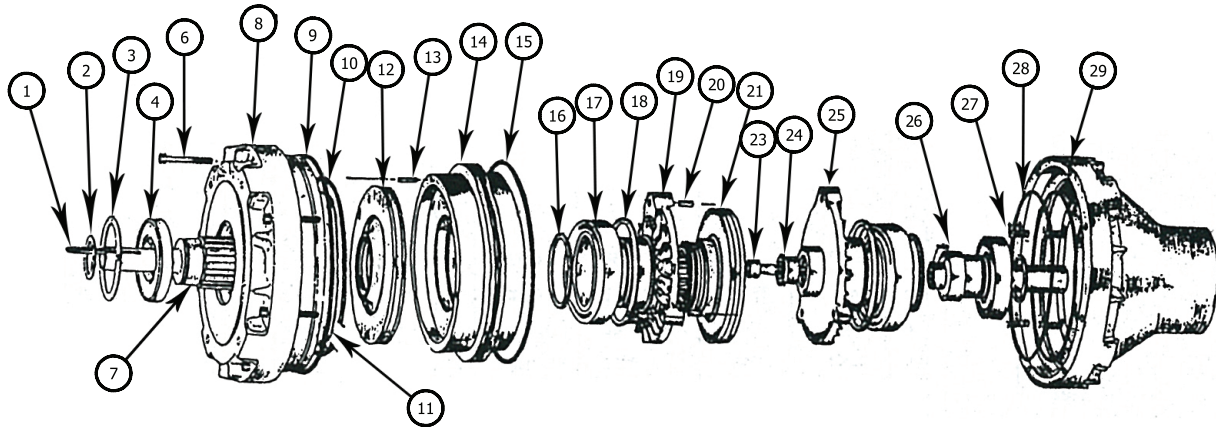


MODEL CAB-SC CLUTCH/BRAKE COMBINATION



ITEM	DESCRIPTION	625	875	Qty.
		Part No.	Part No.	
1.	Key	*2621-1	*2621-1	2
2.	Retaining Ring	*2748	*2748	2
3.	Retaining Ring	*2749	*2749	1
4.	Bearing	*2747	*2747	2
6.	Socket Head Cap Screw	1656-7	1656-7	8
7.	Output Shaft	2784	2785	1
8.	Brake Housing	2777	2777	1
9.	O-Ring	*2798	*2798	1
10.	O-Ring	*2795	*2795	2
11.	Scraper Ring	*2775	*2775	2
12.	Brake Disc Assembly	*3479	*3479	1
12A.	Brake Disc	3477	3477	1
12B.	Friction lining	2788	2788	2
13.	Roll Pin	2802	2802	8
14.	Piston	2781	2781	1
15.	O-Ring	*2797	*2797	1
16.	Retaining Ring	*2801	*2801	2
17.	Bearing	*2794	*2794	2
18.	Retaining Ring	*2800	*2800	2
19.	Piston Clutch Plate	2891	2891	1
20.	Dowel Pin	2808	2808	3
21.	Clutch Disc Assembly	*3480	*3480	1
21A.	Clutch Disc	3478	3478	1
21B.	Friction lining	2791	2791	2
23.	Socket Head Cap Screw	1377-4	1377-4	1
24.	Retainer	2899	2899	1
25.	Housing Clutch Plate	2893	2893	1
26.	Key	2900	2900	1
27.	Input Shaft	2898	2898	1
28.	Spring	*2704	*2704	8
29.	Clutch Housing	2903	2903	1
	Repair Kit (Includes parts with*)	2835K (C)		

THE CARLSON COMPANY, INC.

6045 NORTH BROADWAY

WICHITA, KANSAS 67219 USA

PHONE: (316) 744-0481

FAX: (316) 744-2144

E-MAIL: sales@carlsoncompany.com

WEB: www.carlsoncompany.com