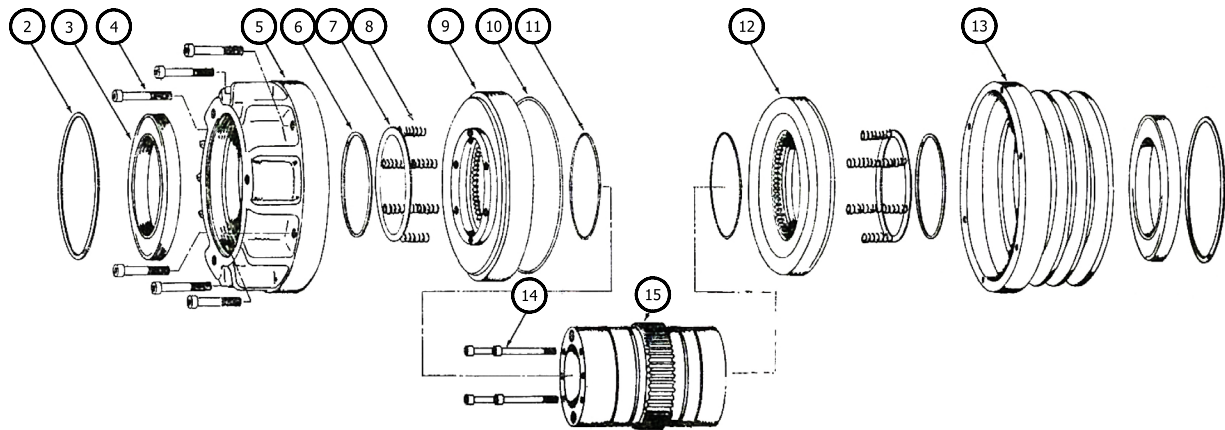


MODEL 6UC IM



ITEM	DESCRIPTION	PART NO.	Qty.
2.	Retaining Ring (Bearing Outer Race)	2509	2
3.	Bearing	2508	2
4.	Socket Head Cap Screw (Pressure Plate)	1666-8	6
5.	Pressure Plate	2512-01	1
6.	Retaining Ring (Bearing Inner Race)	2507	2
7.	Spacer	2502	2
8.	Return Spring	2503	12
9.	Outer Torque Plate Assembly	2521-1	1
9A.	Outer Torque Plate	2522-1	1
9B.	Friction Lining	2517-1	1
10.	O Ring (Torque Plate Rim)	2504	1
11.	O Ring (Torque Plate Hub)	2510	2
12.	Inner Torque Plate Assembly	2519-1	1
12A.	Inner Torque Plate	2520-1	1
12B.	Friction Lining	2517-1	1
13.	Integral Mount Backplate Sheave	2574-	1
14.	Socket Head Cap Screw (Hub-to-Adapter)	1666 -13	4
15.	Hub	2523	1