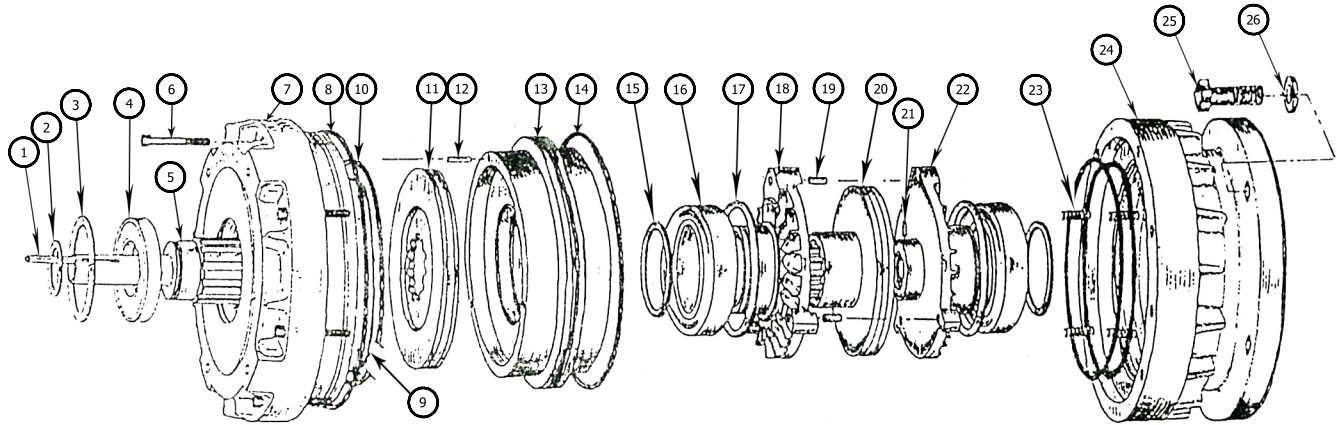


# MODEL 1375 CAB-CC CLUTCH/BRAKE



ITEM	DESCRIPTION	PART NO.	QTY
1.	Key	*2958	2
2.	Retaining Ring	*2801	1
3.	Retaining Ring	*2800	1
4.	Bearing	*2794	1
5.	Output Shaft	2928	1
6.	Socket Head Cap Screw	1666-9	8
7.	Brake Housing	2917	1
8.	O-Ring	*2929	1
9.	Scraper Ring	*2930	2
10.	O-Ring	*2931	2
11.	Brake Disc Assembly	*2934	1
11A.	Brake Disc	2933	1
11B.	Friction Lining	2932	2
12.	Roll Pin	2935	8
13.	Piston	2919	1
14.	O-Ring	*2936	1
15.	Retaining Ring	*2937	2
16.	Bearing	*2938	2
17.	Retaining Ring	*2939	2
18.	Piston Clutch Plate	2920	1
19.	Dowel Pin	2940	3
20.	Clutch Disc Assembly	*2943	1
20A.	Clutch Disc	2942	1
20B.	Friction Lining	2941	2
21.	Retaining Pin	2945	1
22.	Housing Clutch Plate	2922	1
23.	Return Spring	*2946	4
24.	Clutch Housing	2918	1
25.	Hex Head Cap Screw	1026-4	4
26.	Lockwasher	1019-8	4
	Repair Kit (includes parts with *)	2961(K)	

**THE CARLSON COMPANY, INC.**

6045 NORTH BROADWAY

WICHITA, KANSAS 67219

USA

PHONE: (316) 744-0481

FAX: (316) 744-2144

E-MAIL: sales@carlsoncompany.com

WEB: www.carlsoncompany.com